

GPX

Bright's of Brighton

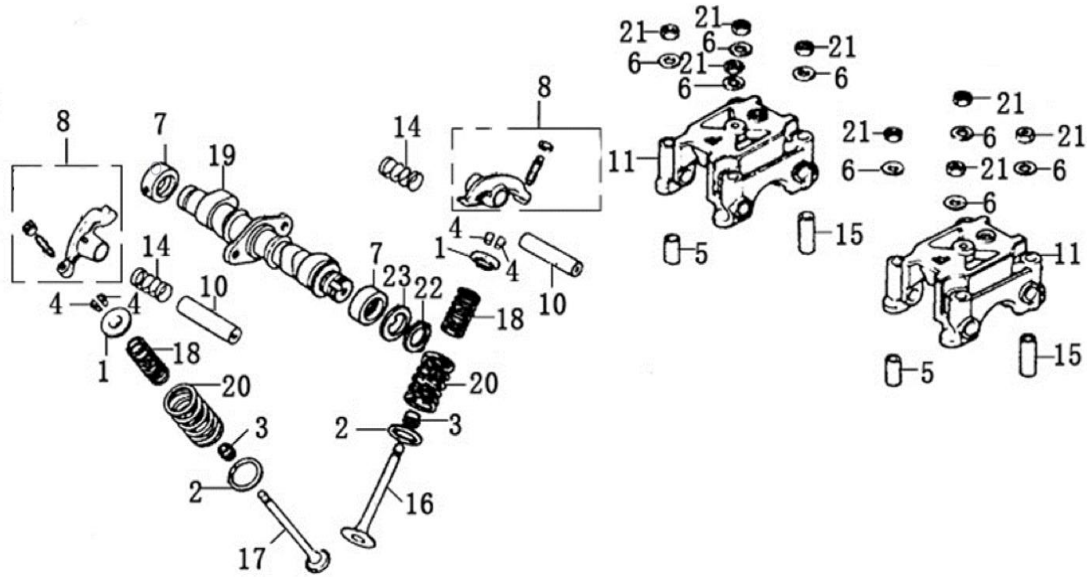
คู่มือการใช้รถจักรยานยนต์
LEGEND250 Brighton

Legend
250 Brighton

Camshaft & Valve

LEG250 - 03

PICTURE

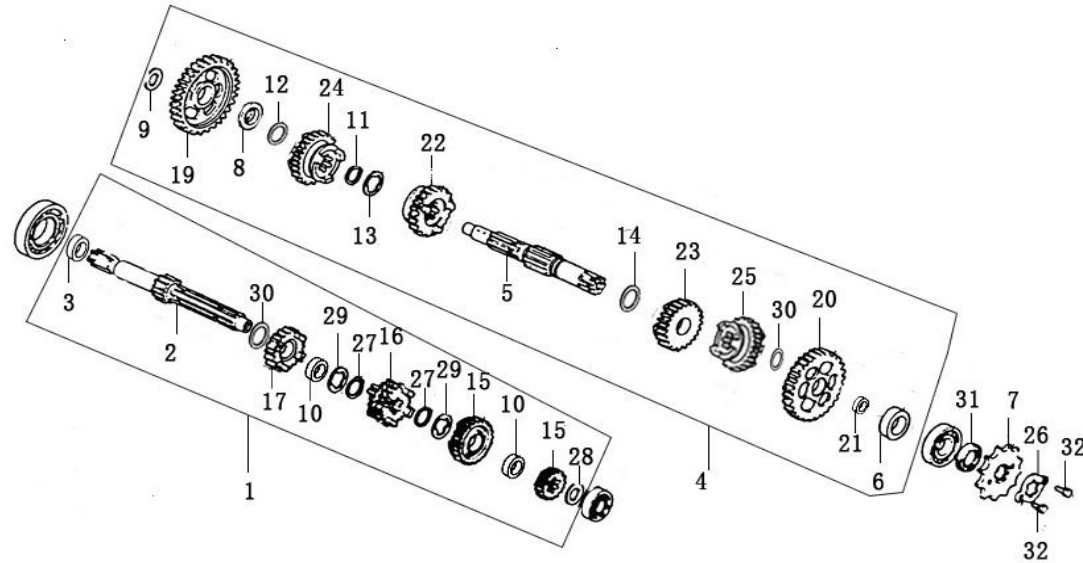


NO	GPX CODE	Model	ENGLISH DESCRIPTION	QTY	PRICE/PCS
				(PCS)	JPY
1	250-03-0101		RETAINER, VALVE SPRING	4	¥200
2	250-03-0201		SEAT, VALVE SPRING OUTER	4	¥100
3	250-03-0301		OIL STEM	4	¥300
4	250-03-0401		SPLIT CONE, VALVE	8	¥100
5	250-03-0501		DOWEL PIN, 10×16	2	¥100
6	250-03-0601		WASHER, STEEL, 8	8	¥100
7	250-03-0701		BUSH, CAMSHAFT	2	¥1,300
7	250-03-0702	New version	BUSH, CAMSHAFT	2	¥1,300
8	250-03-0801		ROCKER ARM ASSY.	4	¥1,100
10	250-03-1001		SHAFT, ROCKER ARM	4	¥300
11	250-03-1101		HOLDER, ROCKER ARM	2	¥4,300
14	250-03-1401		SPRING, ROCKER ARM	4	¥100
15	250-03-1501		DOWEL PIN, 10×28.7	2	¥100
16	250-03-1601		VALVE, INTAKE	2	¥1,300
17	250-03-1701		VALVE, EXHAUST	2	¥1,700
18	250-03-1801		SPRING, INNER VALVE	4	¥300
19	250-03-1901		CAMSHAFT	1	¥6,800
19	250-03-1902	New version	CAMSHAFT	1	¥6,800
20	250-03-2001		SPRING, OUTER VALVE	4	¥900
21	250-03-2101		NUT, M8	8	¥100
22	250-03-2201		SNAP RING, 20	1	¥100
23	250-03-2301		WASHER, CAMSHAFT, 20	1	¥100

Shaft & Countershaft

LEG250 - 17

PICTURE



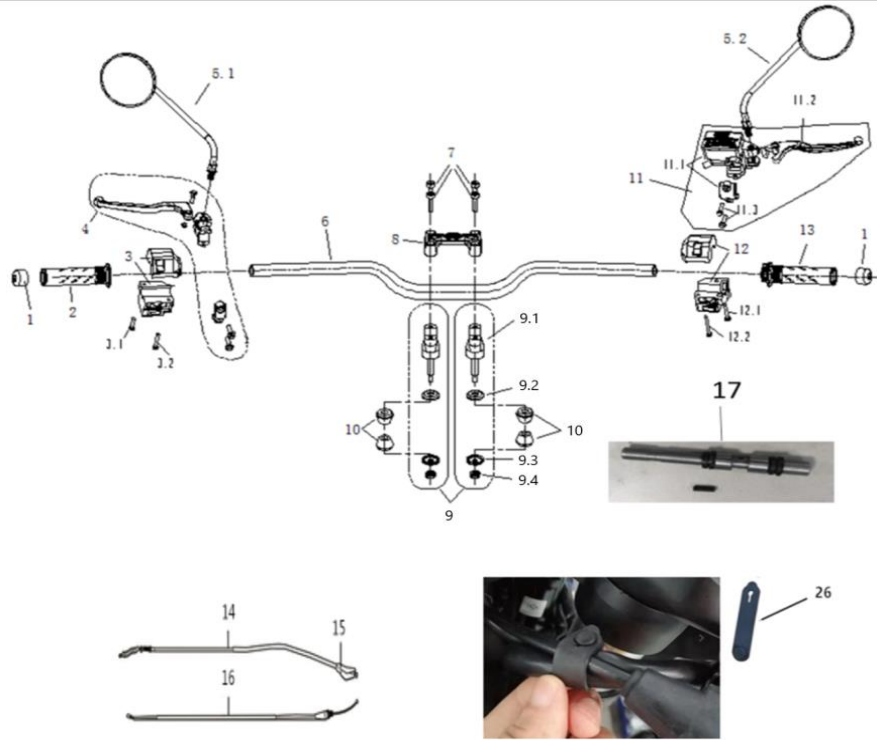
NO	GPX CODE	Model	ENGLISH DESCRIPTION	QTY	PRICE/PCS
				(PCS)	JPY
1	250-16-0101		Shaft comp., main	1	¥8,500
2	250-16-0201		Shaft set, main	1	¥3,000
3	250-16-0301		Sleeve, main shaft	1	¥400
4	250-16-0401		Countershaft comp.	1	¥11,000
5	250-16-0501		Countershaft	1	¥2,200
6	250-16-0601		Sleeve, countershaft	1	¥400
7	250-16-0701		Sprocket comp., output 520-13T	1	¥2,200
8	250-16-0801		Bush, countershaft gear, 1st	1	¥200
9	250-16-0901		Washer, starting idler gear	1	¥100
10	250-16-1001		Bush, main shaft gear, 6th	2	¥300
11	250-16-1101		Circlip I, countershaft	1	¥100
12	250-16-1201		Washer, countershaft	1	¥100
13	250-16-1301		Washer I, inner spline	1	¥100
14	250-16-1401		Washer II, inner spline	1	¥100
15	250-16-1501		Gear, main shaft, 2nd	1	¥900
16	250-16-1601		Gear, main shaft, 3rd	1	¥2,400
17	250-16-1701		Gear, main shaft, 5th	1	¥1,400
18	250-16-1801		Gear, main shaft, 6th	1	¥1,600
19	250-16-1901		Gear, countershaft, 1st	1	¥1,400
20	250-16-2001		Gear, countershaft, 2nd	1	¥1,300
21	250-16-2101		Bush, countershaft gear, 2nd	1	¥400
22	250-16-2201		Gear, countershaft, 3rd	1	¥1,600
23	250-16-2301		Gear, countershaft, 4th	1	¥1,600
24	250-16-2401		Gear, countershaft, 5th	1	¥1,900
25	250-16-2501		Gear, countershaft, 6th	1	¥1,700
26	250-16-2601		Plate, output sprocket fixing	1	¥100
27	250-16-2701		Circlip, main shaft	2	¥100
28	250-16-2801		Washer, main shaft	1	¥100
29	250-16-2901		Washer, inner spline	2	¥100
30	250-16-3001		Washer II, countershaft	2	¥100
31	250-16-3101		Oil seal, countershaft	1	¥1,100
32	250-16-3201		Bolt, M6×10-Zn c1A	2	¥100

HANDLE BAR & REAR MIRROR (1/2)

LG250 2021-20

PICTURE

NO	Version	GPX CODE	ENGLISH DESCRIPTION	QTY (PCS)	UNIT	PRICE/PC JPY
1	2021	250-20-0102-LTD	HANDLEBAR BALANCE HAMMER	2	PCS	¥2,200
2		250-20-0202	HANDLE GRIP LH.	1	PCS	¥1,100
3		250-20-0302	SWITCH ASSY LH.	1	PCS	¥2,700
3.1		250-20-1001	PAN HEAD SCREWS WITH CROSS RECESS, M5×25	1	PCS	¥100
3.2		250-20-1101	PAN HEAD SCREWS WITH CROSS RECESS, M5×35	1	PCS	¥100
4		LEG-16-13	CLUTCH LEVER LH.	1	SETS	¥1,600
4.1		250-20-4.102	CLUTCH LEVER ONLY LH.	1	PCS	¥1,400
4.2		250-20-0601	PIN SHAFT	1	PCS	¥300
4.3		250-20-0701	ALL-METAL HEXAGONAL LOCKING NUT, M6	1	PCS	¥100
4.4		250-20-0801	CLUTCH LEVER HOLDER	1	PCS	¥900
4.5		250-20-1201	HEXAGONAL FLANGE BOLT, M6×25, GB/T 16674.1-2004	2	PCS	¥100
5.1	2021	250-20-05-102-LTD	LH SIDE MIRROR	1	PCS	¥3,000
5.2	2021	250-20-05-202-LTD	RH SIDE MIRROR	1	PCS	¥3,000
6	2021	250-20-0602-LTD	HANDLE BAR	1	PCS	¥11,000
7		250-20-0702	HEXAGON SOCKET HEAD CAP SCREWS, M8×35, GB/T 70	4	PCS	¥100
8		250-20-0802	HANDLE RISER UPPER	1	PCS	¥2,400
9		250-20-0902	HANDLE RISER HOLDER SETS	2	SETS	¥2,600
9.1		250-20-9.102	HANDLE RISER HOLDER ONLY	2	PCS	¥2,200
9.2		250-20-9.202	WASHER Φ12	2	PCS	¥300
9.3		250-20-9.302	WASHER Φ8	2	PCS	¥300
9.4		250-20-9.402	ALL-METAL HEXAGONAL FLANGE LOCKING NUT M8	2	PCS	¥100
10		250-20-1002	HANDLE RISER HOLDER OF RUBBER	4	PCS	¥200
11		253-20-1101	FRONT BRAKE PUMP WITH BRAKE LEVER	1	SETS	¥9,000
11.1		253-20-1101-1	FRONT BRAKE LEVER	1	PCS	¥1,500
11.2		250-20-1201	HEXAGONAL FLANGE BOLT, M6×25, GB/T 16674.1-2004	2	PCS	¥100
11.3		250-20-1202	SWITCH ASSY RH.	1	PCS	¥3,000
12		250-20-1101	PAN HEAD SCREWS WITH CROSS RECESS, M5×35	1	PCS	¥100
12.1		250-20-1801	PAN HEAD SCREWS WITH CROSS RECESS, M5×45	1	PCS	¥100

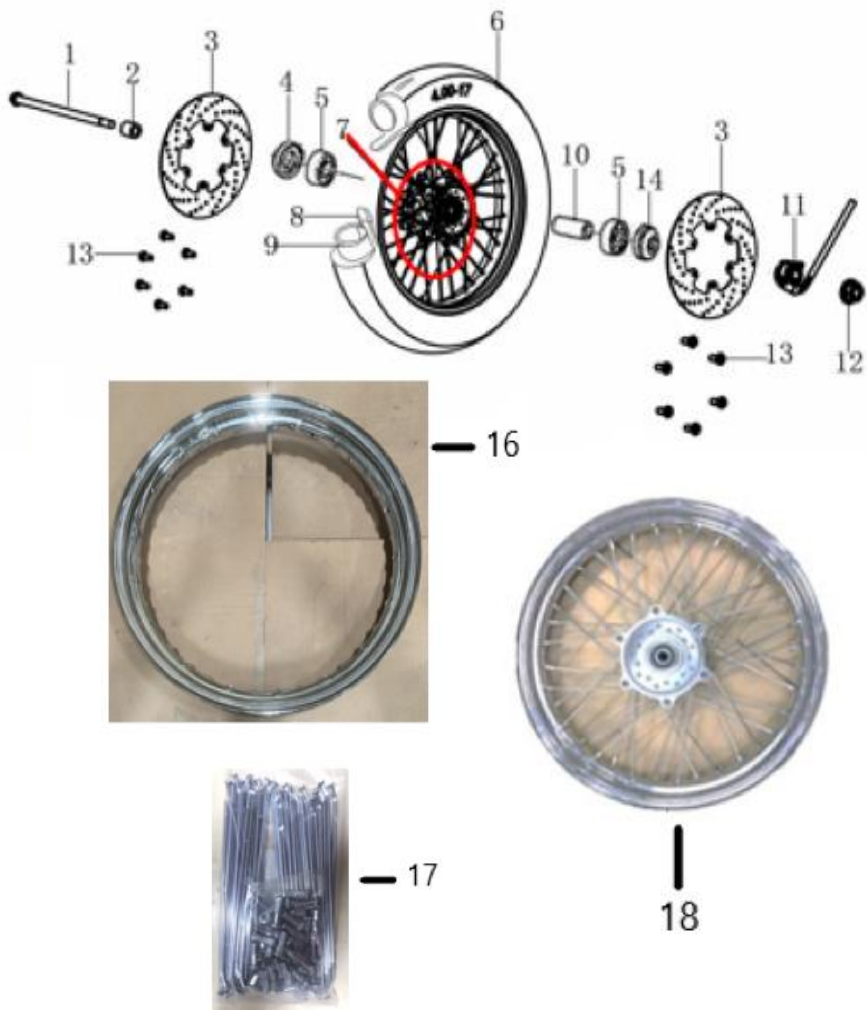


FRONT WHEEL ASSY

LG250 2021-25

PICTURE

NO	Version	GPX CODE	ENGLISH DESCRIPTION	QTY (PCS)	UNIT	PRICE/PC JPY
1		LEG-21-01	AXLE, FRONT	1	PCS	¥1,000
2		250-25-0201	BUSH, FRONT WHEEL, RH	1	PCS	¥600
3	2021	250-25-0302-LTD	DISK, FRONT BRAKE	2	PCS	¥5,400
4		LEG-21-04	SEAL RH	1	PCS	¥600
5		LEG-30-06	BEARING 6302	2	PCS	¥800
6		LEGB200-21-06-TH	FRONT OUTER TIRE 400-17 VRM (110/90)	1	PCS	¥29,000
7	2021	250-25-0702-LTD	WHEEL HUB, FRONT	1	PCS	¥12,000
8		LEG-TRF-TH	Wheel rim rubber	1	PCS	¥400
9		LEG-TINF-400-TH	FRONT INNER TIRE	1	PCS	¥3,600
10		LEG-21-10	FRONT HUB BUSH	1	PCS	¥300
11		250-25-1401	SEAL LH	1	PCS	¥600
12		250-25-1101	SPEED COUNTER	1	PCS	¥4,200
13		LEG-30-01	ALL-METAL HEXAGONAL FLANGE LOCKING NUT M14x1.5	12	PCS	¥300
14		250-25-1401	SEAL LH	1	PCS	¥600
15		DYJ-600001-010000	AIR VALVE	1	PCS	¥400
16	2021	250-25-1601-TH-LTD	FRONT WHEEL	1	PCS	¥13,000
17	2021	250-25-1701-TH-LTD	FRONT SPOKE	1	SET	¥6,300
18	2021	253-25-1801-TH	FRONT WHEEL SET ASSY	1	SET	¥32,000



FUEL TANK

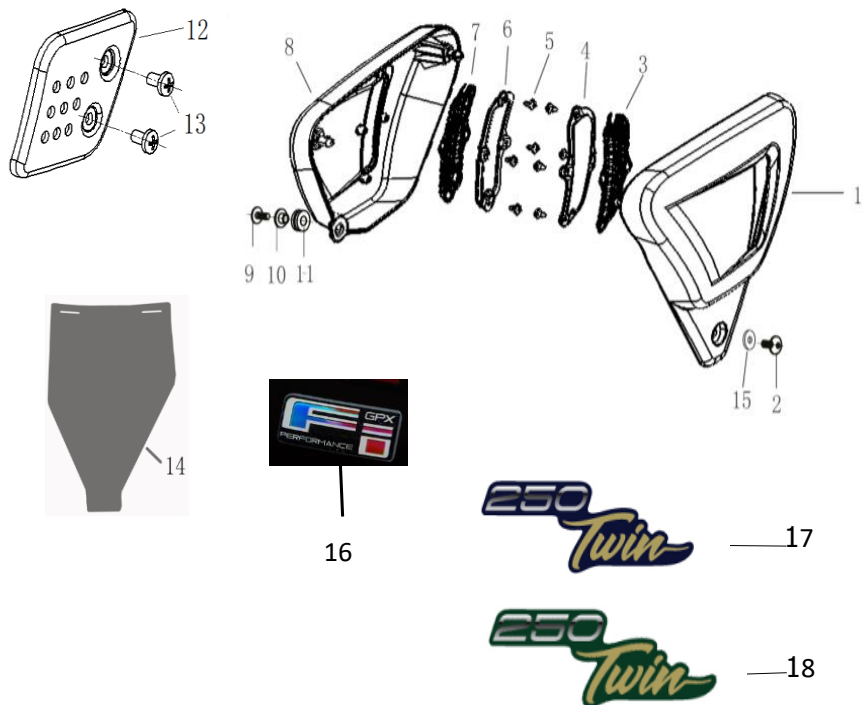
LG250 2021-26

PICTURE	NO	Version	GPX CODE	ENGLISH DESCRIPTION	QTY (PCS)	UNIT	PRICE/PC JPY
	1	2021	250-26-0102-BLU-LTD	FUEL TANK-DEEP BLUE (W/O STICKER NO.16,17,19.1,19.2)	1	PCS	¥42,000
	1	2021	250-26-0102-GRN-LTD	FUEL TANK-BRITISH GREEN (W/O STICKER NO.16,17,19.1,19.2)	1	PCS	¥42,000
	3		250-26-0301	HEXAGONAL FLANGE BOLT M6x20	2	PCS	¥100
	4		LEG-22-04	BRACKET FOR SEAT	1	PCS	¥400
	5		250-26-0501	BUSH FOR TANK	2	PCS	¥200
	6		250-26-0601	FUEL TANK RUBBER, RR	1	PCS	¥600
	7		250-26-0701	ELECTRIC FUEL INJECTION PUMP	1	PCS	¥19,000
	8		250-26-0801	HEXAGONAL FLANGE BOLT M5x16	6	PCS	¥100
	9		LEG-29-14	HEXAGONAL FLANGE NUT M6	4	PCS	¥100
	10		250-26-1001	FUEL SENSOR	1	PCS	¥1,300
	11		LEG-22-12	RUBBER FOR TANK FR. POSTION	2	PCS	¥200
	12		250-26-1201	OIL TANK HEAT INSULATION PLATE	1	PCS	¥1,500
	13		250-26-1301	RUBBER FOR TANK FR. POSTION		PCS	¥100
	14		250-26-1801	WASHR Φ5	4	PCS	¥100
	15		250-26-1901	SPRING WASHER Φ5	4	PCS	¥100
	16		250-26-1601	EMBLEM TANK PAD RH	1	PCS	¥4,300
	17		250-26-1501	EMBLEM TANK PAD LH	1	PCS	¥4,300
	19		250-26-1902	TANK EMBLEM	1	SETS	¥6,800
	19.1		250-26-19.102	TANK EMBLEM, LH	1	PCS	¥4,300
19.2		250-26-19.202	TANK EMBLEM, RH	1	PCS	¥4,300	

LEFT AND RIGHT COVER

LG250 2021-27

PICTURE

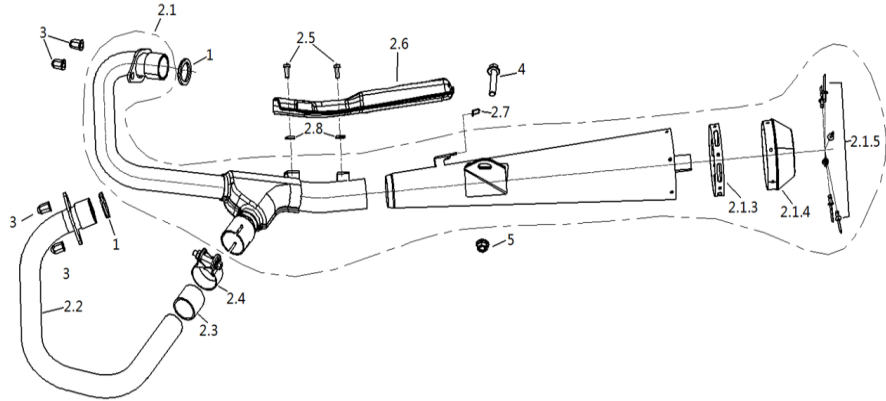


NO	Version	GPX CODE	ENGLISH DESCRIPTION	QTY (PCS)	UNIT	PRICE/PC JPY
1	2021	250-27-0102-BLU-LTD	Side cover LH. DEEP BLUE + sticker	1	PCS	¥5,100
1	2021	250-27-0102-GRN-LTD	Side cover LH. BRITISH GREEN + sticker	1	PCS	¥5,100
2		LEG-23-03	Cross large flat head screw Bolt M6×16	1	PCS	¥100
3		250-27-0301	LH side cover metal mesh	1	PCS	¥500
4		250-27-0401	LH side cover metal mesh press plate	1	PCS	¥200
5		250-27-0501	Cross recessed pan head tapping screws ST4.2-9.5	8	PCS	¥100
6		250-27-0601	RH side cover metal mesh press plate	1	PCS	¥200
7		250-27-0701	RH side cover metal mesh	1	PCS	¥500
8	2021	250-27-0802-BLU-LTD	Side cover RH. DEEP BLUE + sticker	1	PCS	¥5,100
8	2021	250-27-0802-GRN-LTD	Side cover RH. DEEP BLUE + sticker	1	PCS	¥5,100
9		250-27-0901	Cross large flat head screw Bolt M6×20	1	PCS	¥100
10		250-19-2201	Bush Φ6.5×8/Φ18×2+Φ8.5×6	1	PCS	¥300
11		250-19-2101	H rubber	1	PCS	¥100
12		250-27-1201	RH side cover decorative	1	PCS	¥1,300
13		250-27-1301	Cross recessed pan head tapping screws M5×12	2	PCS	¥100
14		250-27-1401	Rubber for Side cover LH.	1	PCS	¥700
15		250-27-1801	Rubber washer for Side cover	1	PCS	¥200
16		180-03-4901-TH	EMEBLE EFI	1	PCS	¥500
17	2021	250-27-1702-BLU-TH-LTD	Side cover - sticker 250Twin Blue	2	PCS	¥900
18	2021	250-27-1802-GRN-TH-LTD	Side cover - sticker 250Twin Green	2	PCS	¥900

MUFFLER ASSY

LG250 2021-30

PICTURE



NO	Version	GPX CODE	ENGLISH DESCRIPTION	QTY (PCS)	UNIT	PRICE/PC JPY
1		LEG-26-02	Muffler rings	2	PCS	¥300
2		250-30-0201	Muffler assy	1	SET	¥64,000
2.1		250-30-02.101	Muffler pipe, RH with Muffler	1	PCS	¥57,000
2.2		250-30-02.201	Muffler pipe, LH	1	PCS	¥6,800
2.3		250-30-02.301	Graphite bush	1	PCS	¥1,100
2.4		250-30-02.401	Muffler clip	1	PCS	¥800
2.5		LEG-23-03	Cross large flat head screw,Stainless steel screw,M6×25	2	PCS	¥100
2.6		250-30-02.601	Muffler heater protect	1	PCS	¥2,700
2.7		250-30-02.701	H rubber for muffler	1	PCS	¥100
2.8		250-30-02.801	Heater protect washer	2	PCS	¥100
2.9		250-30-02.901	Muffler tail cover clip	1	PCS	¥300
2.10		250-30-02.1001	Muffler tail decoration cover	1	PCS	¥2,600
2.11		250-30-02.1101	Rivet Φ5×8	2	PCS	¥100
3		LEG-26-03	Standard cover nut M8×22	4	PCS	¥100
4		250-30-0401	Hexagonal flange bolt M10×1.25×45	1	PCS	¥200
5		250-30-0501	All-metal hexagonal flange locking nut M10×1.25	1	PCS	¥100

SEAT & SEAT COVER

LG250 2021-31

PICTURE

NO

Version

GPX CODE

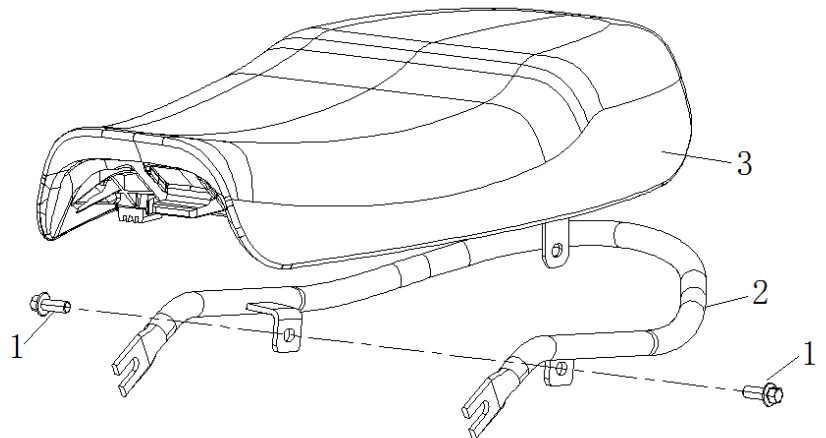
ENGLISH DESCRIPTION

**QTY
(PCS)**

UNIT

**PRICE/PC
JPY**

1		LEG-27-06	Hexagonal flange bolt M8×20	2	PCS	¥100
2		250-31-0201	Rr. Arm rest	1	PCS	¥5,100
3	2021	250-31-0302-BLK-LTD	Seat assy	1	PCS	¥12,000

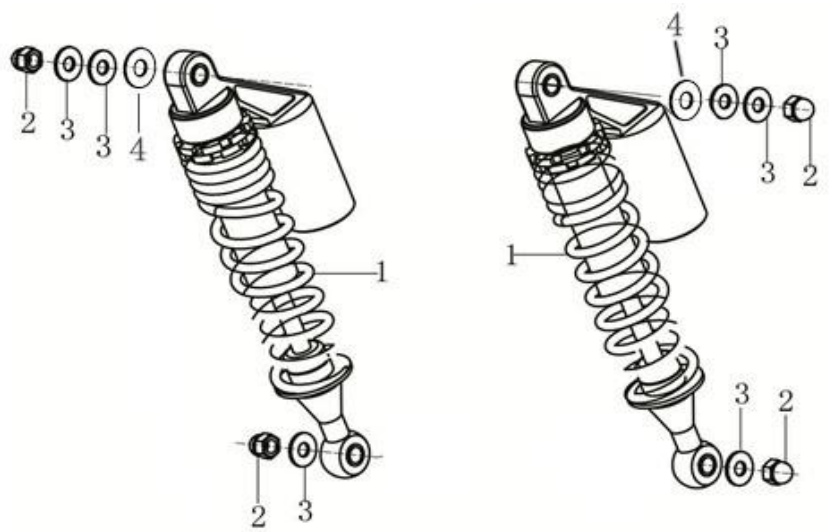


REAR SHOCK

LG250 2021-32

PICTURE

NO	Version	GPX CODE	ENGLISH DESCRIPTION	QTY (PCS)	UNIT	PRICE/PC JPY
1	2021	250-32-0102-TH-LTD	RR. SHOCK LH.& RH.	1	SET	¥43,000
2		LEG-28-02	NUT M10*1.25	4	PCS	¥200
3		LEG-28-03	WASHER 10	6	PCS	¥100
4		LEG-28-04	WASHER 12	2	PCS	¥100



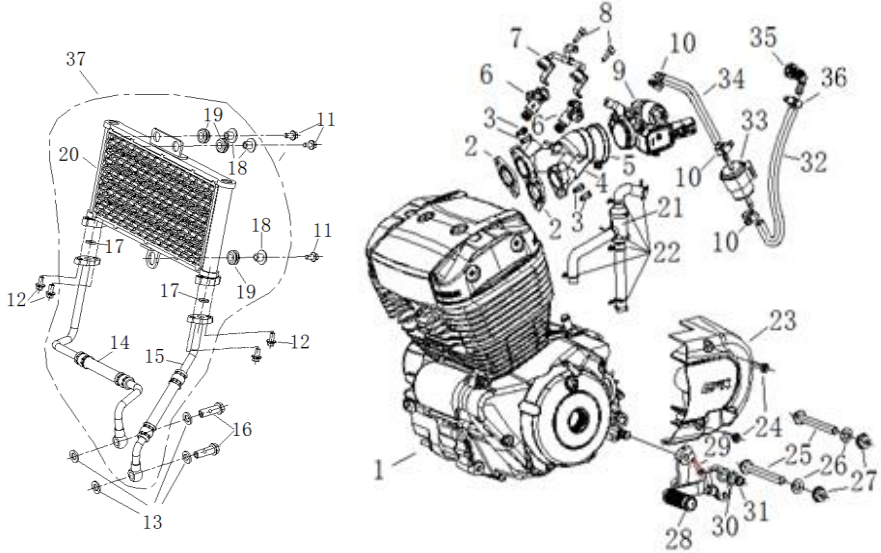
REAR WHEEL

LG250 2021-34

PICTURE	NO	Version	GPX CODE	ENGLISH DESCRIPTION	QTY (PCS)	UNIT	PRICE/PC JPY
	1		LEG-30-01	HEXAGONAL FLANGE LOCKING NUT M14×1.5	1	PCS	¥300
	2		250-34-0201	REAR WHEEL COLLER R.	1	PCS	¥400
	3	2021	250-34-0302-LTD	REAR BREAK DISC PLATE	1	PCS	¥4,900
	4		LEG-30-04	INNER HEXAGONAL STEP SCREW M8	4	PCS	¥100
	5		LEG-21-04	SEAL LH 28x42x7	1	PCS	¥600
	6		LEG-30-06	BEARING	2	PCS	¥800
	7		150-30-03801	BUSH	1	PCS	¥700
	8		LEGB200-30-08-TH	REAR TIRE 4.50-17 (130/90)	1	PCS	¥32,000
	9	2021	250-34-0902-LTD	WHEEL HUB, REAR	1	PCS	¥15,000
	10		LEG-TRR-TH	Wheel rim rubber	1	PCS	¥400
	11		LEG-TINR-450-TH	RR. WHEEL INNER TIRE	1	PCS	¥3,600
	12		LEG-30-12	SEAL 27x47x7	4	PCS	¥600
	11		LEG-30-06	BEARING	1	PCS	¥800
	12		LEG150S-30-10	RR. SPROCKET ASSY	1	PCS	¥7,100
	13	2021	250-34-1302-LTD	RR. SPROCKET BOLT	4	PCS	¥200
	14	2021	250-34-1402-LTD	RR. SPROCKET GEAR 520-38T	1	PCS	¥5,000
	15		250-30-0501	HEXAGONAL FLANGE LOCKING NUT M10×1.25	4	PCS	¥100
	16		250-34-1401	REAR WHEEL AXLE	1	PCS	¥1,600
	17		250-34-1702-LTD	FLEXIBLE CIRCLIP Φ58	1	PCS	¥300
	18		LEG-30-18	RR. WHEEL BUSH LH.	1	PCS	¥600
	19	2021	250-34-1901-TH-LTD	REAR WHEEL	1	PCS	¥14,000
	20	2021	250-34-2001-TH-LTD	SPOKE - REAR WHEEL	1	SET	¥6,300
21	2021	250-34-12.801	Rr. Sprocket clip	2	PCS	¥100	
22	2021	253-34-2201	REAR WHEEL ASSY.	1	SET	¥36,000	

CARBURATOR, OIL COOLER (1/2)

LG250 2021-38

PICTURE	NO	Version	GPX CODE	ENGLISH DESCRIPTION	QTY (PCS)	UNIT	PRICE/PC JPY	
	1	2021	250-38-0102-LTD	ENGINE ASSY 250	1	SETS	¥300,000	
	2		250-38-0201	GASKET	2	PCS	¥300	
	3		250-38-0301	HEXAGON HEADED BOLT M6x30	4	PCS	¥100	
	4		250-38-0401	AIR INTAKE PIPE	1	PCS	¥8,300	
	5		250-38-0501	CLAMP 051000	1	PCS	¥200	
	6		250-38-0601	INJECTOR	2	PCS	¥14,000	
	7		250-38-0701	OIL INJECTOR RAIL	1	PCS	¥2,600	
	8		250-38-0801	HEXAGON SOCKET HEAD CAP SCREWS,M6×16	2	PCS	¥100	
	9		250-38-0901	THROTTLE BODY ASSY	1	PCS	¥27,000	
	10		250-38-1001	CLAMP 050000	3	PCS	¥200	
	11		250-38-1101	HEXAGON HEADED BOLT M6x20	3	PCS	¥100	
	12		LEG-35-02	BOLT M6X16	6	PCS	¥100	
	13		250-38-1301	WASHER 10, COPPER	4	PCS	¥200	
	14		250-38-1401	OIL COOLER PIPE I	1	PCS	¥4,300	
	15		250-38-1501	OIL COOLER PIPE II	1	PCS	¥4,300	
	16		250-38-1601	OIL COOLER SPECIAL BOLT M10x1.25x28	2	PCS	¥300	
	17		LEG200-34-17	OIL COOLER O SEAL	2	PCS	¥100	
	18		LEG200-34-18	FLANGE BUSH	3	PCS	¥200	
	19		LEG200-34-19	H RUBBER	3	PCS	¥200	
	20	2021	250-38-2002-LTD	OIL COOLER	OIL COOLER	1	PCS	¥22,000
	21		250-38-2101	EXHAUST GAS RECOVERY DEVICE	EXHAUST GAS RECOVERY DEVICE	1	PCS	¥800
	22		250-38-2201	OIL PIPE CLIP	OIL PIPE CLIP	6	PCS	¥100
	23		250-38-2301	DRIVING SPROCKET COVER	DRIVING SPROCKET COVER	1	PCS	¥2,800
	24		250-38-2401	DRIVING SPROCKET COVER BOLT	DRIVING SPROCKET COVER BOLT	2	PCS	¥100
	25		250-38-2501	HEXAGON HEADED BOLT M10x115x1.25	HEXAGON HEADED BOLT M10x115x1.25	2	PCS	¥300
	26		250-38-2601	WASHR Φ10	WASHR Φ10	2	PCS	¥100
	27		250-30-0501	ALL-METAL HEXAGONAL FLANGE LOCKING NUT M10	ALL-METAL HEXAGONAL FLANGE LOCKING NUT M10	2	PCS	¥100
	28		250-38-2801	GEAR SHAFT PEDAL	GEAR SHAFT PEDAL	1	PCS	¥3,400
	29		250-38-1101	HEXAGON HEADED BOLT M6x20	HEXAGON HEADED BOLT M6x20	1	PCS	¥100

