

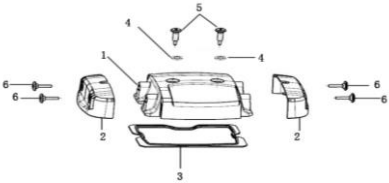
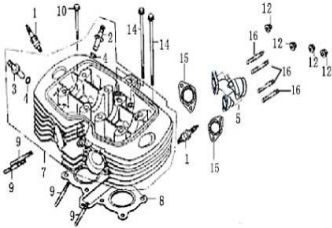
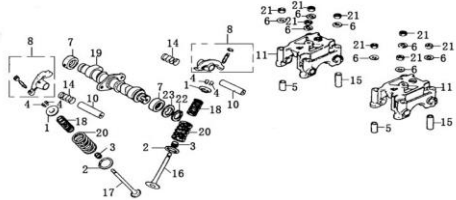
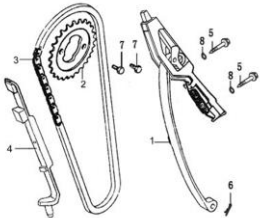
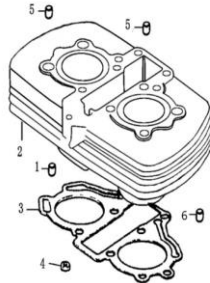
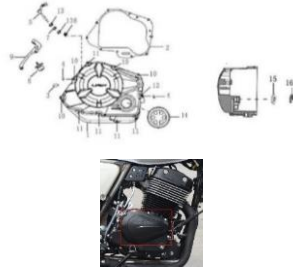
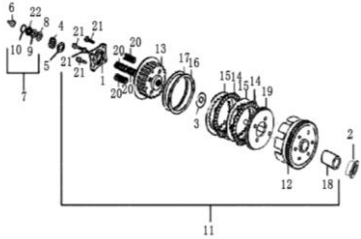
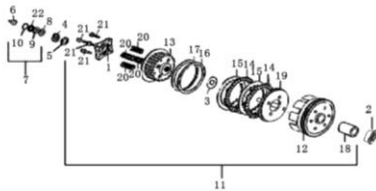
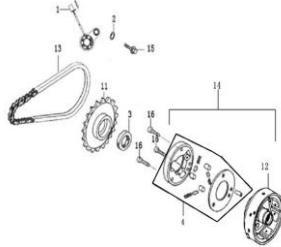
สมุดคู่มืออะไหล่รุ่น LEGEND250 TWIN III

250 Twin III

THE LEGEND FOREVER

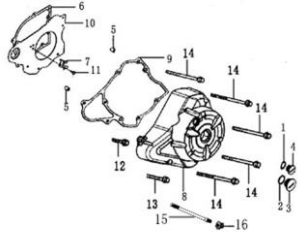


目次

LEG250-01 Cylinder Head Cover P1	LEG250-02 Cylinder Head P2	LEG250-03 Camshaft & Valve P3
		
LEG250-04 Timing Chain & Tensioner P4	LEG250-05 Cylinder Block P5	LEG250-06 Right Crankcase Cover P6
		
LEG250-07 Clutch P7	LEG250-07 Clutch P8	LEG250-08 Starting Clutch P9
		

目次

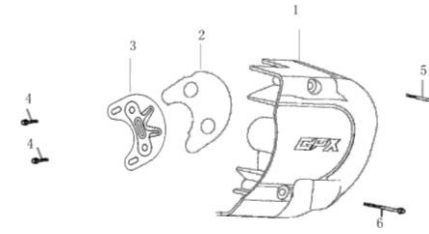
LEG250-09 Left Crankcase Cover P10



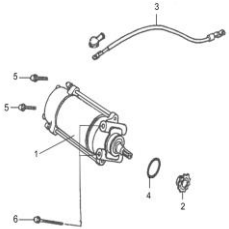
LEG250-10 Magneto P11



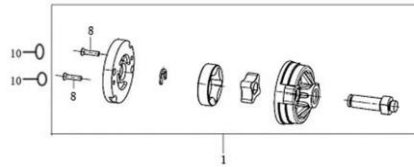
LEG250-11 Left Posterior cap P12



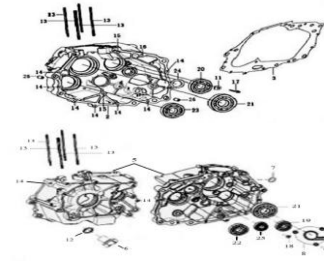
LEG250-12 Starting Motor P13



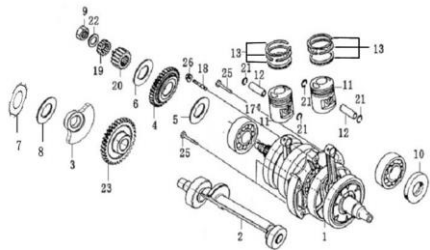
LEG250-13 Oil Pump P14



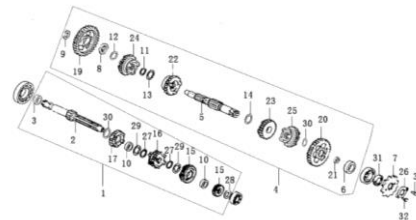
LEG250-14 Crankcase P15



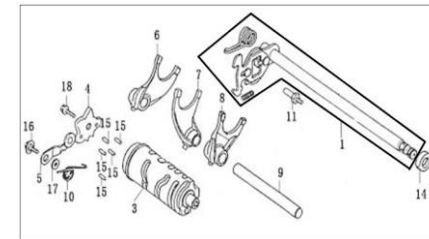
LEG250-15 Crankshaft & Piston P16



LEG250-16 Shaft & Countershaft P17

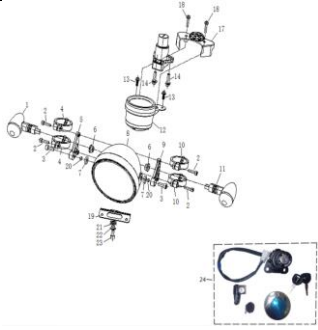


LEG250-17 Gearshift Drum P18

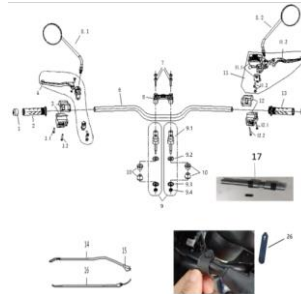


目次

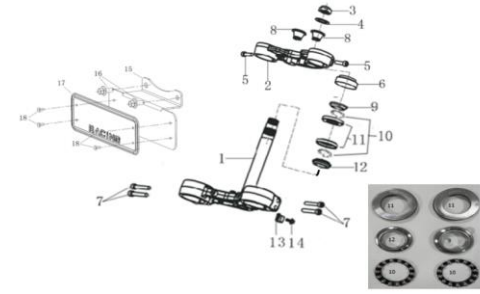
LEG250-19 LIGHT & METER P19



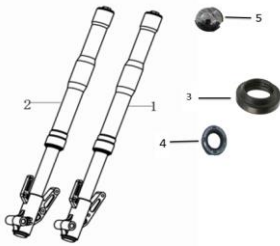
LEG250-20 HANDLE BAR & REAR MIRROR P20



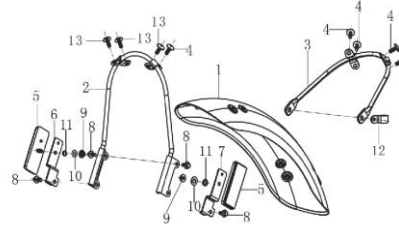
LEG250-21 STEERING STEEM P21



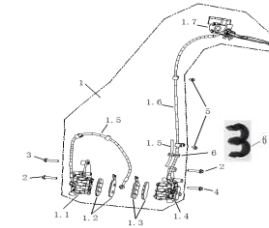
LEG250-22 FRONT SHOCK P22



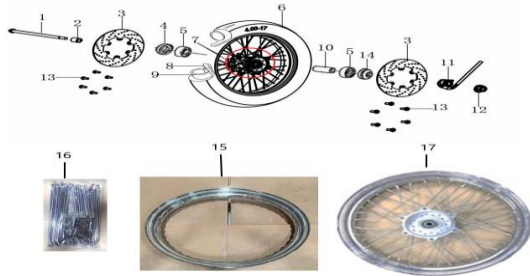
LEG250-23 FRONT FENDER P23



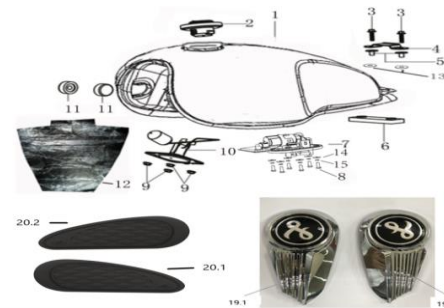
LEG250-24 FRONT BREAK PUMP P24



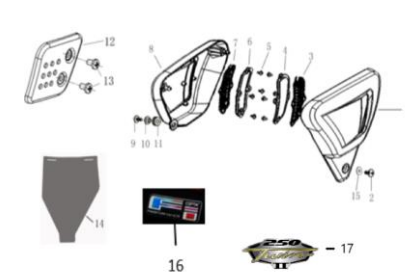
LEG250-25 FRONT WHEEL ASSY P25



LEG250-26 FUEL TANK P26

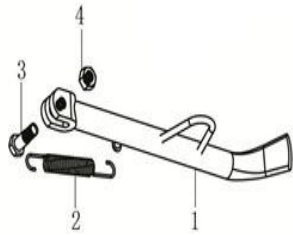


LEG250-27 LEFT AND RIGHT COVER P27

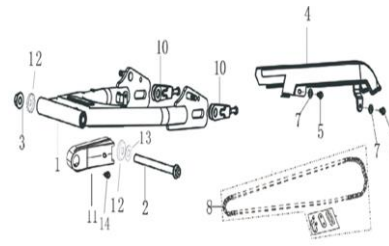


目次

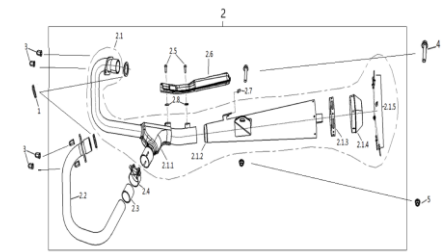
LEG250-28 SIDE SUPPORT P28



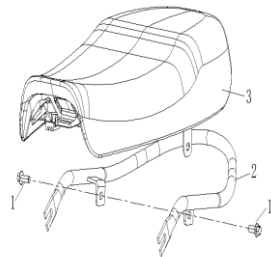
LEG250-29 SWING ARM & CHAIN BOX P29



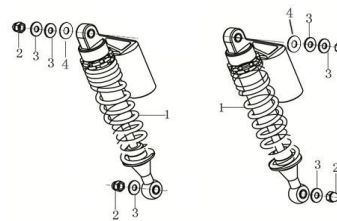
LEG250-30 MUFFLER ASSY P30



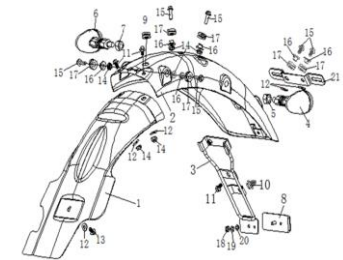
LEG250-31 SEAT & SEAT COVER P31



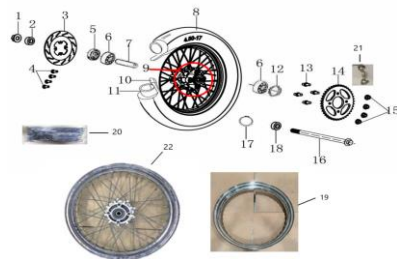
LEG250-32 REAR SHOCK P32



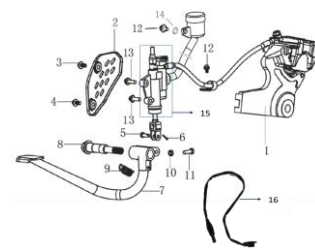
LEG250-33 REAR FENDER P33



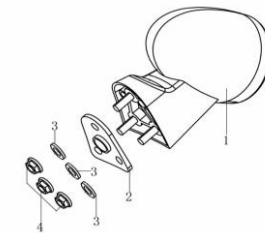
LEG250-34 REAR WHEEL P34



LEG250-35 REAR BREAK ASSY P35

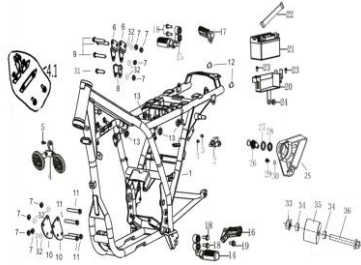


LEG250-36 TAIL LIGHT P36

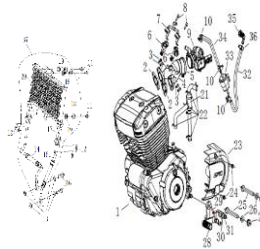


目次

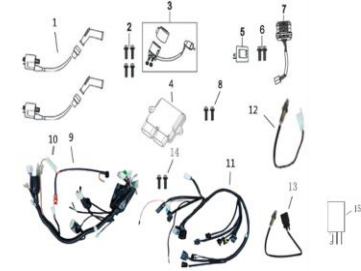
LEG250-37 FRAME & FOOTREST P37



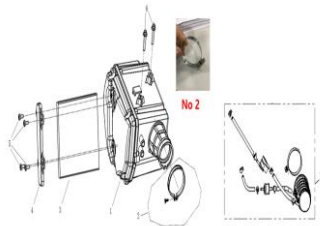
LG250 2021-38 ENGINE P38



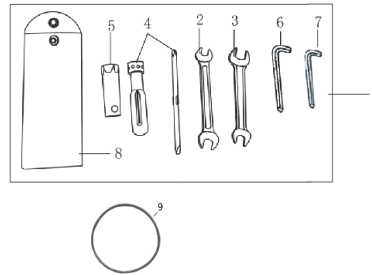
LEG250-40 MAIN CABLE & ELECTRICAL PARTS P39



LEG250-41 AIR FILTER P40



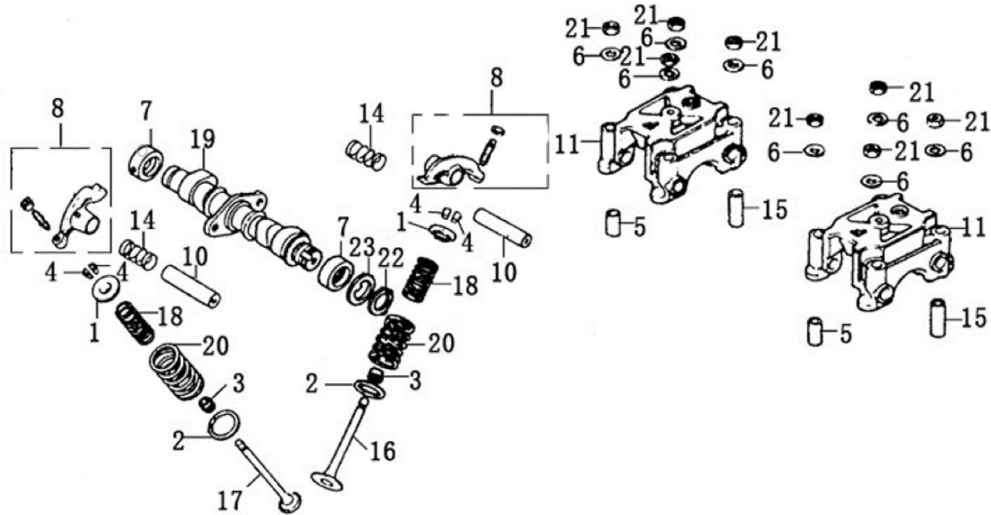
LEG250-42 TOOLS P41



Camshaft & Valve

LEG250 - 03

PICTURE

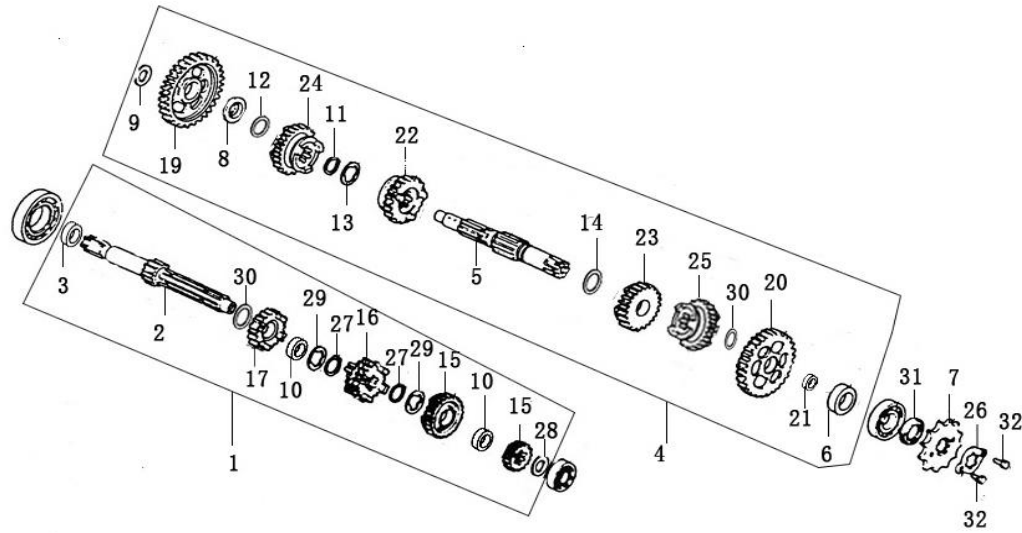


NO	GPX CODE	Model	ENGLISH DESCRIPTION	QTY	PRICE/PCS
				(PCS)	JPY
1	250-03-0101		RETAINER, VALVE SPRING	4	¥200
2	250-03-0201		SEAT, VALVE SPRING OUTER	4	¥100
3	250-03-0301		OIL STEM	4	¥300
4	250-03-0401		SPLIT CONE, VALVE	8	¥100
5	250-03-0501		DOWEL PIN, 10×16	2	¥100
6	250-03-0601		WASHER, STEEL, 8	8	¥100
7	250-03-0701		BUSH, CAMSHAFT	2	¥1,300
7	250-03-0702	NEW	BUSH, CAMSHAFT	2	¥1,300
8	250-03-0801		ROCKER ARM ASSY.	4	¥1,100
10	250-03-1001		SHAFT, ROCKER ARM	4	¥300
11	250-03-1101		HOLDER, ROCKER ARM	2	¥4,300
14	250-03-1401		SPRING, ROCKER ARM	4	¥100
15	250-03-1501		DOWEL PIN, 10×28.7	2	¥100
16	250-03-1601		VALVE, INTAKE	2	¥1,300
17	250-03-1701		VALVE, EXHAUST	2	¥1,700
18	250-03-1801		SPRING, INNER VALVE	4	¥300
19	250-03-1901		CAMSHAFT	1	¥6,800
19	250-03-1902	NEW	CAMSHAFT	1	¥6,800
20	250-03-2001		SPRING, OUTER VALVE	4	¥900
21	250-03-2101		NUT, M8	8	¥100
22	250-03-2201		SNAP RING, 20	1	¥100
23	250-03-2301		WASHER, CAMSHAFT, 20	1	¥100

Shaft & Countershaft

LEG250 - 17

PICTURE



NO	GPX CODE	Model	ENGLISH DESCRIPTION	QTY	PRICE/PCS
				(PCS)	JPY
1	250-16-0101		Shaft comp., main	1	¥8,500
2	250-16-0201		Shaft set, main	1	¥3,000
3	250-16-0301		Sleeve, main shaft	1	¥400
4	250-16-0401		Countershaft comp.	1	¥11,000
5	250-16-0501		Countershaft	1	¥2,200
6	250-16-0601		Sleeve, countershaft	1	¥400
7	250-16-0701		Sprocket comp., output 520-13T	1	¥2,200
8	250-16-0801		Bush, countershaft gear, 1st	1	¥200
9	250-16-0901		Washer, starting idler gear	1	¥100
10	250-16-1001		Bush, main shaft gear, 6th	2	¥300
11	250-16-1101		Circlip I, countershaft	1	¥100
12	250-16-1201		Washer, countershaft	1	¥100
13	250-16-1301		Washer I, inner spline	1	¥100
14	250-16-1401		Washer II, inner spline	1	¥100
15	250-16-1501		Gear, main shaft, 2nd	1	¥900
16	250-16-1601		Gear, main shaft, 3rd	1	¥2,400
17	250-16-1701		Gear, main shaft, 5th	1	¥1,400
18	250-16-1801		Gear, main shaft, 6th	1	¥1,600
19	250-16-1901		Gear, countershaft, 1st	1	¥1,400
20	250-16-2001		Gear, countershaft, 2nd	1	¥1,300
21	250-16-2101		Bush, countershaft gear, 2nd	1	¥400
22	250-16-2201		Gear, countershaft, 3rd	1	¥1,600
23	250-16-2301		Gear, countershaft, 4th	1	¥1,600
24	250-16-2401		Gear, countershaft, 5th	1	¥1,900
25	250-16-2501		Gear, countershaft, 6th	1	¥1,700
26	250-16-2601		Plate, output sprocket fixing	1	¥100
27	250-16-2701		Circlip, main shaft	2	¥100
28	250-16-2801		Washer, main shaft	1	¥100
29	250-16-2901		Washer, inner spline	2	¥100
30	250-16-3001		Washer II, countershaft	2	¥100
31	250-16-3101		Oil seal, countershaft	1	¥1,100
32	250-16-3201		Bolt, M6×10-Zn c1A	2	¥100

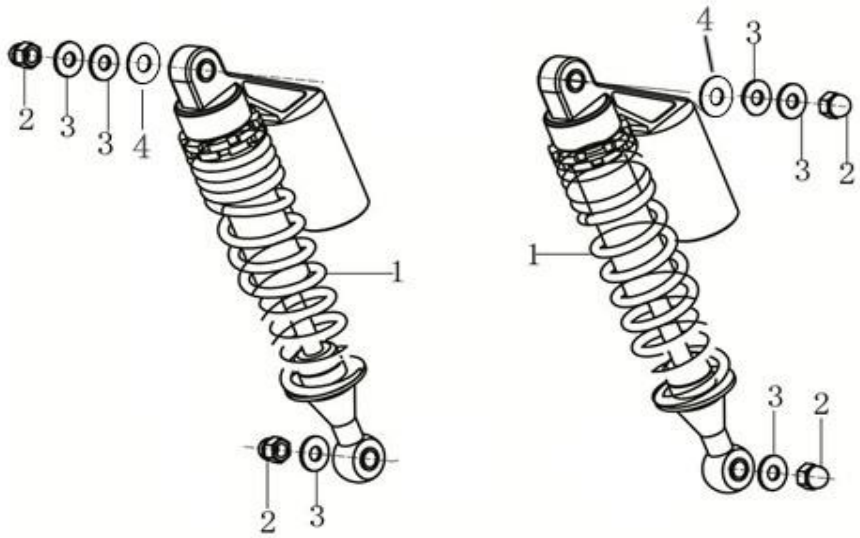
HANDLE BAR & REAR MIRROR (1/2)

LG250 2021-20

PICTURE	NO	Version	GPX CODE	ENGLISH DESCRIPTION	QTY (PCS)	UNIT	PRICE/PCS JPY
	1	2021-2022	250-20-0102-LTD	HANDLEBAR BALANCE HAMMER	2	PCS	¥2,200
	2		250-20-0202	HANDLE GRSP LH.	1	PCS	¥1,100
	3		250-20-0302	SWITCH ASSY LH.	1	PCS	¥2,700
	3.1		250-20-1001	PAN HEAD SCREWS WITH CROSS	1	PCS	¥100
	3.2		250-20-1101	PAN HEAD SCREWS WITH CROSS	1	PCS	¥100
	4		LEG-16-13	CLUTCH LEVER LH.	1	SETS	¥1,600
	4.1		250-20-4.102	CLUTCH LEVER ONLY LH.	1	PCS	¥1,400
	4.2		250-20-0601	PIN SHAFT	1	PCS	¥300
	4.3		250-20-0701	ALL-METAL HEXAGONAL LOCKING NUT,	1	PCS	¥100
	4.4		250-20-0801	CLUTCH LEVER HOLDER	1	PCS	¥900
	4.5		250-20-1201	HEXAGONAL FLANGE BOLT,M6×25,GB/T	2	PCS	¥100
	5.1	2021-22	250-20-05-102-LTD	LH SIDE MIRROR	1	PCS	¥3,000
	5.2	2021-22	250-20-05-202-LTD	RH SIDE MIRROR	1	PCS	¥3,000
	6	2021-22	250-20-0602-LTD	HANDLE BAR	1	PCS	¥11,000
	7		250-20-0702	HEXAGON SOCKET HEAD CAP	4	PCS	¥100
	8		250-20-0802	HANDLE RISER UPPER	1	PCS	¥2,400
	9.1		250-20-9.102	HANDLE RISER HOLDER	2	PCS	¥2,200
	9.2		250-20-9.202	WASHER Φ12	2	PCS	¥300
	9.3		250-20-9.302	WASHER Φ8	2	PCS	¥300
	9.4		250-20-9.402	ALL-METAL HEXAGONAL FLANGE LOCK	2	PCS	¥100
	10		250-20-1002	HANDLE RISER HOLDER OF RUBBER	4	PCS	¥200
	11	ALL TWIN	253-20-1101	FRONT BRAKE PUMP WITH BRAKE LEVER	1	PCS	¥9,000
	11.1	ALL TWIN	253-20-1101-1	FRONT BRAKE PUMP	1	PCS	¥7,600
	11.2	ALL TWIN	253-20-1101-2	FRONT BRAKE LEVER	1	PCS	¥1,500
	11.3		250-20-1201	HEXAGONAL FLANGE BOLT,M6×25,GB/T	2	PCS	¥100
	12		250-20-1202	SWITCH ASSY RH.	1	PCS	¥3,000
12.1		250-20-1101	PAN HEAD SCREWS WITH CROSS RECESS	1	PCS	¥100	
12.2		250-20-1801	PAN HEAD SCREWS WITH CROSS RECESS	1	PCS	¥100	

REAR SHOCK

LG250 2021-32

PICTURE	NO	Version	GPX CODE	ENGLISH DESCRIPTION	QTY (PCS)	UNIT	PRICE/PCS JPY
	1	2021-2022	250-32-0102-TH-LTD	RR. SHOCK LH.& RH.	1	SET	¥43,000
	2		LEG-28-02	NUT M10*1.25	4	PCS	¥200
	3		LEG-28-03	WASHER 10	6	PCS	¥100
	4		LEG-28-04	WASHER 12	2	PCS	¥100

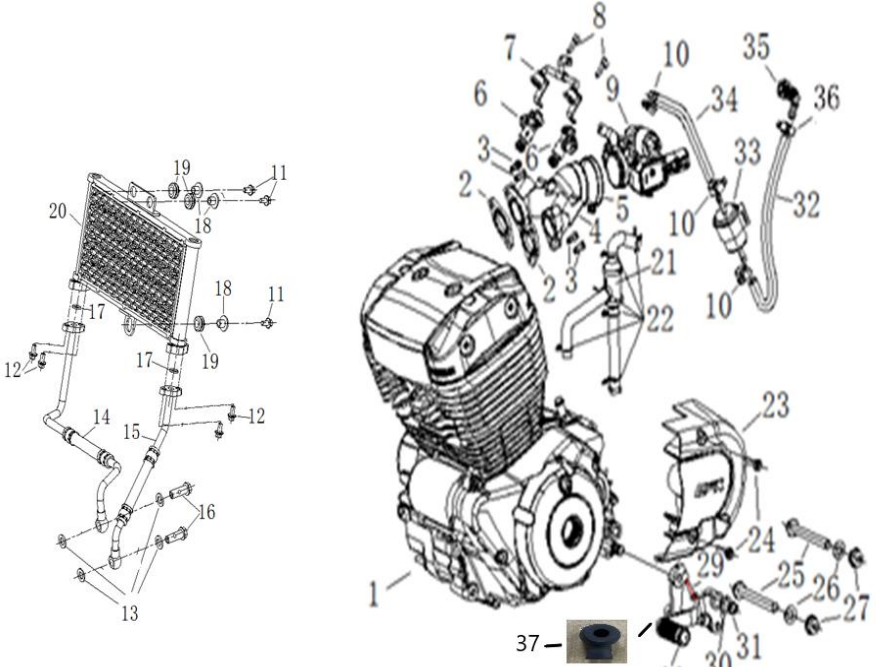
TAIL LIGHT

LG250 2021-36

PICTURE	NO	Version	GPX CODE	ENGLISH DESCRIPTION	QTY (PCS)	UNIT	PRICE/PCS JPY
	1		250-36-0101	TAIL LIGHT	1	PCS	¥4,300
	2		250-36-0201	RUBBER FOR TAIL LIGHT	1	PCS	¥300
	3		LEG-19-11	WASHR Φ6	3	PCS	¥100
	4		LEG-29-14	HEXAGON FLANGE NUT M6, GB6177-2000	3	PCS	¥100

ENGINE , CARBURATOR, OIL COOLER (1/2)

LG250 2021-38

PICTURE	NO	Version	GPX CODE	ENGLISH DESCRIPTION	QTY (PCS)	UNIT	PRICE/PCS JPY
	1	2021	250-38-0102-LTD	ENGINE ASSY 250	1	SETS	¥300,000
	2		250-38-0201	GASKET	2	PCS	¥300
	3		250-38-0301	HEXAGON HEADED BOLT M6×30	4	PCS	¥100
	4		250-38-0401	AIR INTAKE PIPE	1	PCS	¥8,300
	5		250-38-0501	CLAMP 051000	1	PCS	¥200
	6		250-38-0601	INJECTOR	2	PCS	¥14,000
	7		250-38-0701	OIL INJECTOR RAIL	1	PCS	¥2,600
	8		250-38-0801	HEXAGON SOCKET HEAD CAP	2	PCS	¥100
	9		250-38-0901	THROTTLE BODY ASSY	1	PCS	¥27,000
	10		250-38-1001	CLAMP 050000	3	PCS	¥200
	11		250-38-1101	HEXAGON HEADED BOLT M6×20	3	PCS	¥100
	12		LEG-35-02	BOLT M6X16	6	PCS	¥100
	13		250-38-1301	WASHER 10, COPPER	4	PCS	¥200
	14		250-38-1401	OIL COOLER PIPE I	1	PCS	¥4,300
	15		250-38-1501	OIL COOLER PIPE II	1	PCS	¥4,300
	16		250-38-1601	OIL COOLER SPECIAL BOLT M10×1.25×28	2	PCS	¥300
	17		LEG200-34-17	OIL COOLER O SEAL	2	PCS	¥100
	18		LEG200-34-18	FLANGE BUSH	3	PCS	¥200
	19		LEG200-34-19	H RUBBER	3	PCS	¥200
	20	2022	253-38-2001	OIL COOLER	1	PCS	¥24,000
	21		250-38-2101	EXHAUST GAS RECOVERY DEVICE	1	PCS	¥800
	22		250-38-2201	OIL PIPE CLIP	6	PCS	¥100
	23		250-38-2301	DRIVING SPROCKET COVER	1	PCS	¥2,800
	24		250-38-2401	DRIVING SPROCKET COVER BOLT	2	PCS	¥100
	25		250-38-2501	HEXAGON HEADED BOLT M10×115×1.25	2	PCS	¥300
	26		250-38-2601	WASHR Φ10	2	PCS	¥100
	27		250-30-0501	ALL-METAL HEXAGONAL FLANGE LOCK	2	PCS	¥100
	28		250-38-2801	GEAR SHAFT PEDAL	1	PCS	¥3,400
	29		250-38-1101	HEXAGON HEADED BOLT M6×20	1	PCS	¥100

TOOLS

LG250 2021-41

PICTURE

NO

Version

GPX CODE

ENGLISH DESCRIPTION

**QTY
(PCS)**

UNIT

**PRICE/PCS
JPY**

1

250-41-0101

TOOL KITS

1

SETS

¥900

9

250-41-0901

TOOLBOX BAND

1

PCS

¥200

